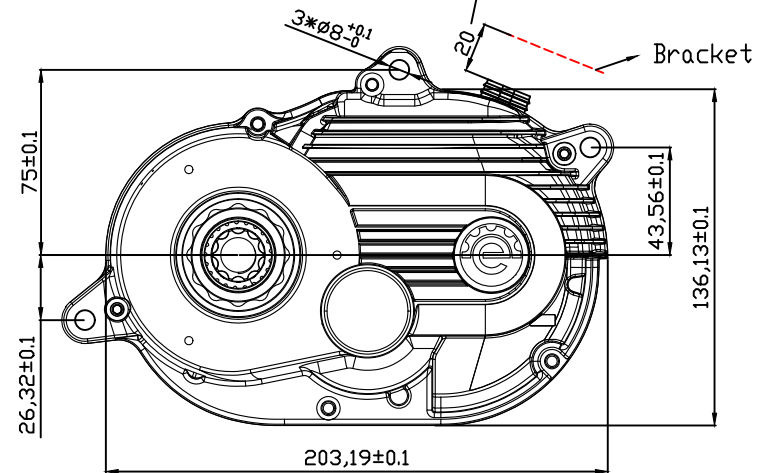
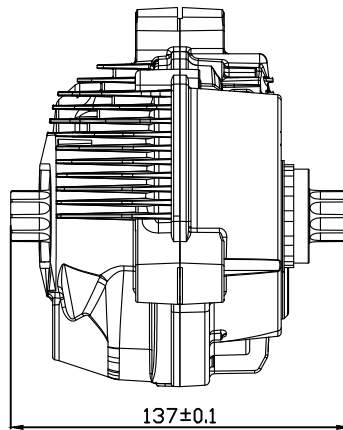
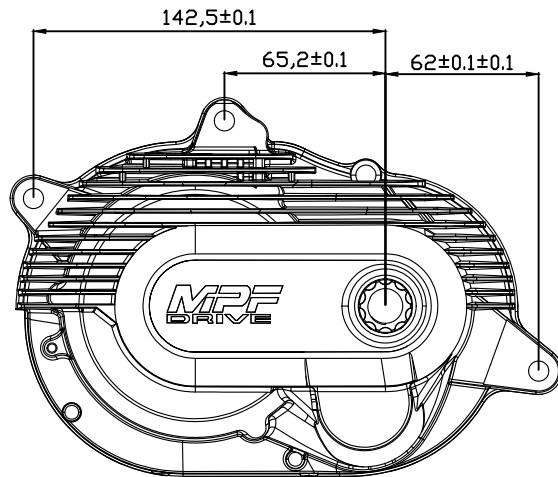


Distance between motor rubber tubing and frame adapter is at least 20mm.



UNIQUE PRODUCT & DESIGN CO., LTD. TEL:(06)2536767 FAX:(06)2530998

DWG FILE		DRAWER		DATE	2020.03.25	Unspecified tolerances	
DRAW NAME	MPF 6S (137L)	DESIGNER		DATE		>0	±0.1
CART STYLE	T	CHECKER		DATE		>5	±0.2
PROJECTION		UNIT	MM	APPROVER		>25	±0.5
WORK DIR				NOTE		>100	±0.5
						>250	±0.8
						>1000	±1.5
						PROCESS	
						SHEET	1 of 1

Paper size	A4
Scale	
Release level	